



ORBITAL HYDRAULIC MOTOR

MODEL BMH



WWW.OLEODINAMICAMOZIONI.IT

BMH INTRODUCTION

THIS SERIES OF MOTOR, WITH ITS SHELL MADE OF DUCTILE CAST IRON OF ADEQUATE INTENSITY, CAN BE APPLIED TO SITUATIONS WITH LESS LOAD AND INTERVAL OPERATION, WIDELY TO AGRICULTURE, FORESTRY, PLASTICS, MACHINE TOOLS AND MINI MACHINES, SUCH AS THE MOLD HEIGHT ADJUSTMENT OF THE INJECTION MOLDING MACHINE, THE CLEANER, THE SAWMILL THE WORKTABLE ETC.



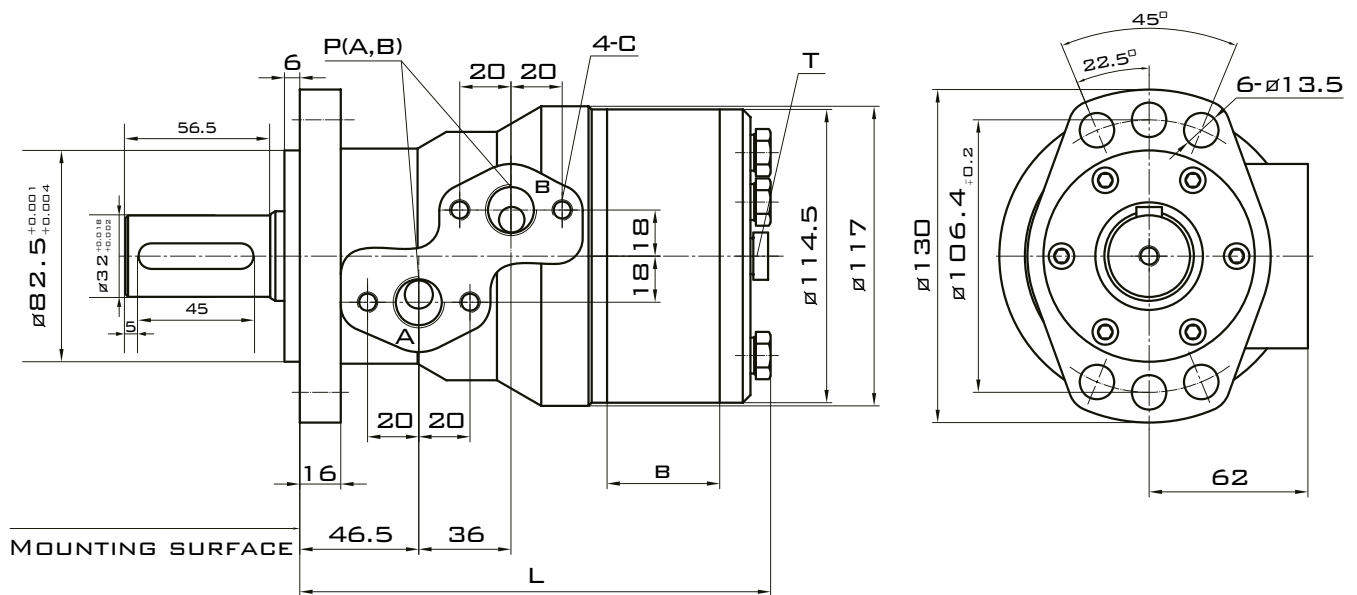
BMH TECHNICAL DATA

TYPE		BMH-200	BMH-250	BMH-315	BMH-400	BMH-500
DISPLACEMENT (CM ³ /R)		203	253.7	318.9	405.9	471.1
MAX.PRESSURE.DROP (MPA)	CONT.	16	16	15	14	12
	INT.	19	19	18	17	15
	PEAK.	22	22	21	20	18
MAX.TORQUE (N·M)	CONT.	425	530	610	825	720
	INT.	510	635	750	900	910
	PEAK.	590	735	875	1055	1090
MAX.CONT.SPEED (R/MIN)		365	295	235	180	155
MAX.FLOW (CONT.) (L/MIN)		75	75	75	75	75
MAX.OUTPUT.POWER (CONT.) (KW)		13.8	13.8	12.5	11.5	9.8
WEIGHT (KG)		10.5	11	11.5	12.5	13



BMH INSTALLATION

TYPE	BMH-200	BMH-250	BMH-315	BMH-400	BMH-500
L	168	175	184	196	205
B	28	35	44	56	65



AIV - ø13.5 OVAL FLANGE, PILOT ø82.5x6

BMH PORTS CODE

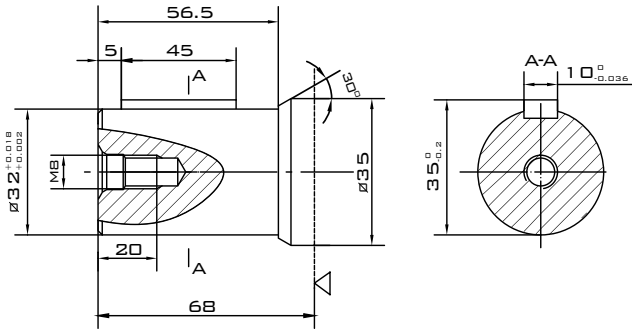
CODE	PORTS	P(A,B)(DEEP)	C(DEEP)	T (DEEP)
Y		G 1/2 (15)	M8 (13)	G 1/4 (12)

NOTE: P(A,B) - PORTS,
 C - MOUNTING THREAD (- INDICATES NO THIS THREAD),
 T - DRAIN CONNECTION

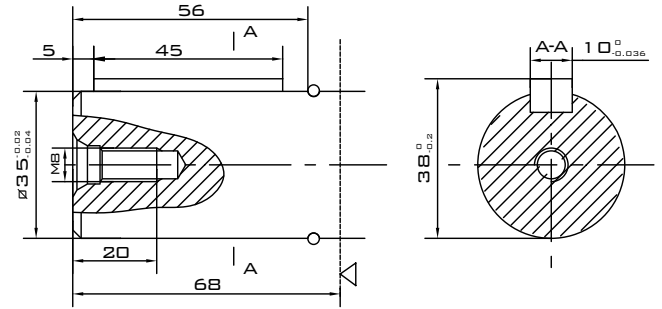


SHAFT VERSION

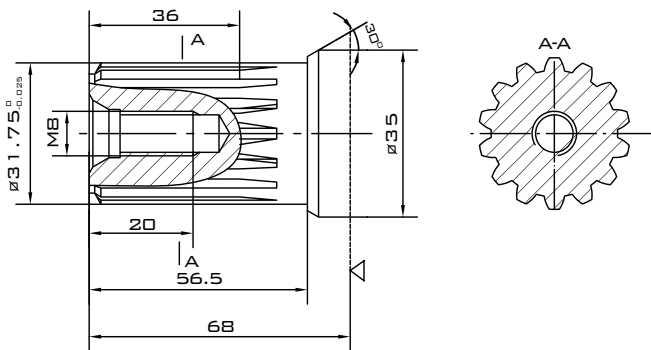
**P1: $\varnothing 32$ CYLINDRICAL SHAFT,
PARALLEL KEY 10X8X45**



**P7: $\varnothing 35$ CYLINDRICAL SHAFT,
PARALLEL KEY 10X8X45**



**K2: $\varnothing 31.75$ INVOLVE SPLINED SHAFT
14-DP12/24 A=30°**



ORDER CODE

<p>SERIES = BMH</p>		<p>ROTATION DIRECTION OMIT = STANDART L = OPPOSITE</p>	
<p>DISPLACEMENT</p> <p>200 250 315 400 500</p>		<p>SPECIAL FEATURES OMIT = STANDART</p>	
<p>OUTPUT SHAFT</p> <p>P1 = $\varnothing 32$ CYLINDRICAL P7 = $\varnothing 35$ CYLINDRICAL K2 = $\varnothing 31.75$ INVOLUTE SPLINED</p>		<p>CODE PORTS</p> <p>PORTS(A,B)(DEEP) DRAIN PORT T(DEEP) Y = G1/2(15) G1/4(12)</p>	
		<p>FLANGE AIV = $\varnothing 13.5$ OVAL FLANGE PILOT $\varnothing 82.5 \times 6$</p>	