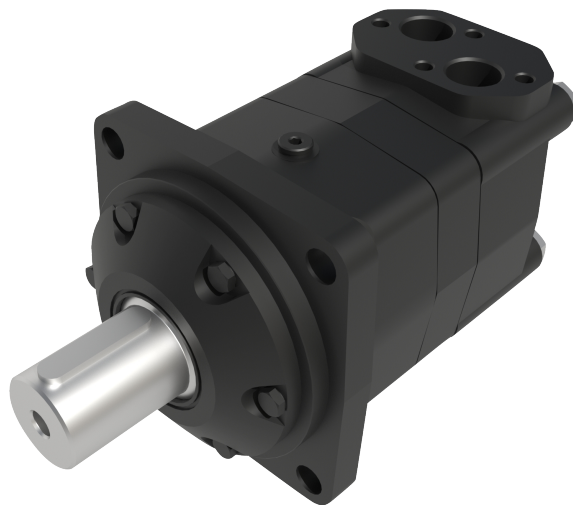




**ORBITAL HYDRAULIC MOTOR**

**MODEL BM5U**



[WWW.OLEODINAMICAMOZIONI.IT](http://WWW.OLEODINAMICAMOZIONI.IT)

## BM5U INTRODUCTION

THIS SERIES OF MOTOR, WITH ITS SHELL MADE OF DUCTILE CAST IRON OF ADEQUATE INTENSITY, CAN BE APPLIED TO SITUATIONS WITH LESS LOAD AND INTERVAL OPERATION, WIDELY TO AGRICULTURE, FORESTRY, PLASTICS, MACHINE TOOLS AND MINI MACHINES, SUCH AS THE MOLD HEIGHT ADJUSTMENT OF THE INJECTION MOLDING MACHINE, THE CLEANER, THE SAWMILL THE WORKTABLE ETC.



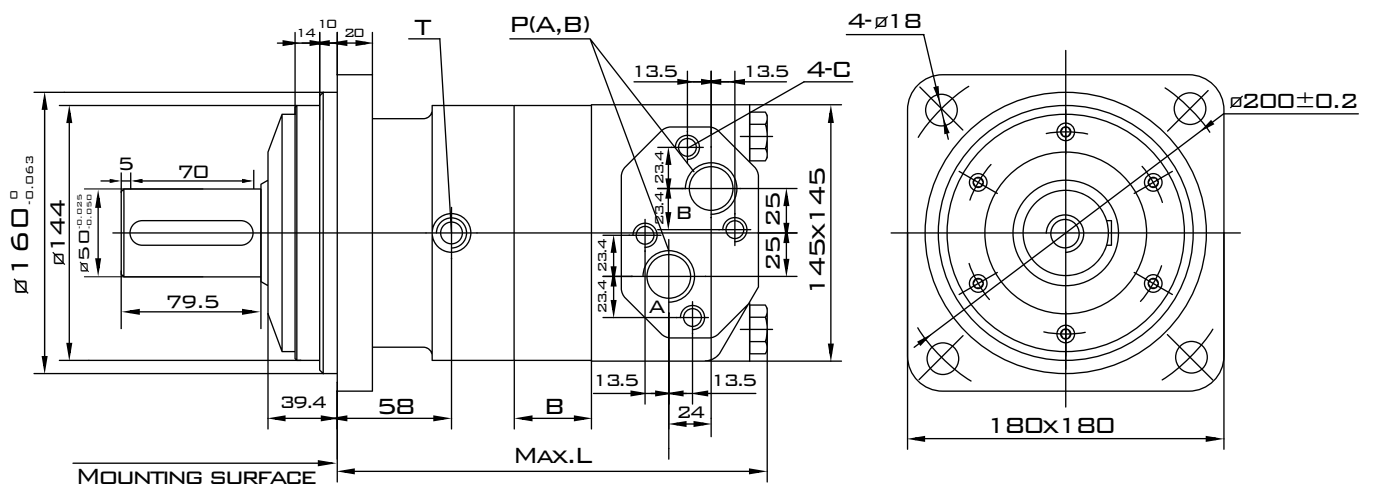
## BM5U TECHNICAL DATA

TYPE		BM5U-315	BM5U-400	BM5U-500	BM5U-630	BM5U-800	BM5U-985
DISPLACEMENT (CM <sup>3</sup> /R)		314.9	399.7	496.6	617.8	787.4	969.1
MAX.PRESSURE.DROP (MPA)	CONT.	20	20	20	18	16	14
	INT.	24	24	24	21	18	16
	PEAK.	28	28	28	24	21	18
MAX.TORQUE (N·M)	CONT.	873	1108	1385	1570	1773	1900
	INT.	1119	1440	1783	1951	2122	2133
	PEAK.	1293	1650	2060	2249	2481	2399
MAX.CONT.SPEED (R/MIN)		475	375	300	240	190	150
MAX.FLOW (CONT.) (L/MIN)		150	150	150	150	150	150
MAX.OUTPUT.POWER (CONT.) (KW)		32	32	32	32	32	24
WEIGHT (KG)		30.7	31.5	32.4	33.6	35.2	37.2

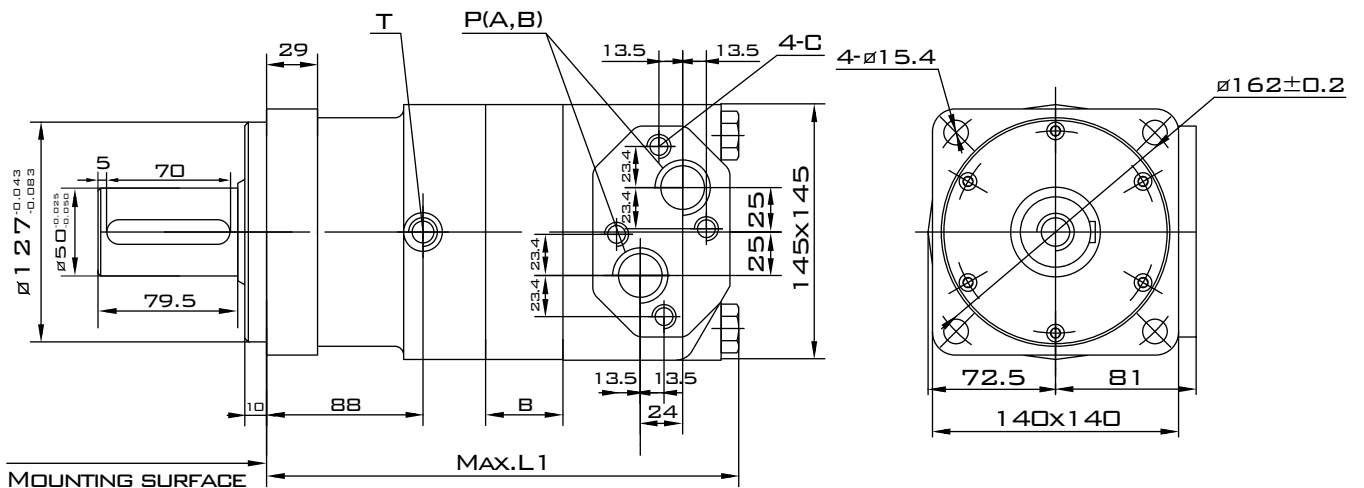


BM5U INSTALLATION

TYPE	BM5U-315	BM5U-400	BM5U-500	BM5U-630	BM5U-800	BM5U-985
L	216	223	231	241	255	270
L1	246	253	261	271	285	300
B	19	26	34	44	58	73



SQUARE FLANGE **A**



SQUARE FLANGE **A7**

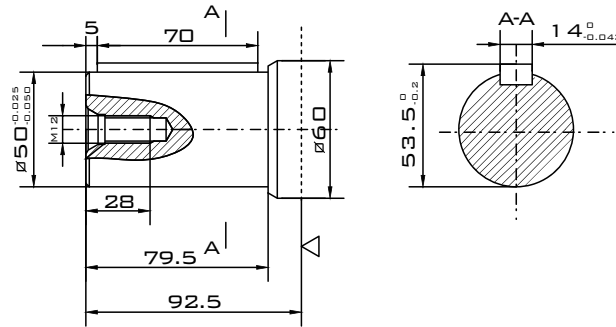
BM5U PORTS CODE

CODE	PORTS	P(A,B)(DEEP)	T (DEEP)
Y		G1 (18)	G1/4 (12)



#### SHAFT VERSION

**P:**  $\varnothing 50$  CYLINDRICAL SHAFT,  
PARALLEL KEY 14X9X70



◁: MOTOR MOUNTING SURFACE

#### ORDER CODE

<p>BM5U- / -</p>		<p>ROTATION DIRECTION O = STANDARD L = OPPOSITE</p>
<p>SERIES</p>	<p>BM5U</p>	<p>SPECIAL FEATURES O = STANDARD</p>
<p>DISPLACEMENT</p>	<p>315 400 500 630 800 985</p>	<p>CODE PORTS PORTS(A,B)(DEEP) DRAIN PORT T(DEEP) Y = G1(18) G1/4(12)</p>
<p>OUTPUT P =</p>	<p><math>\varnothing 50</math> CYLINDRICAL</p>	<p>FLANGE A = 4 - <math>\varnothing 18</math> SQUARE FLANGE PILOT <math>\varnothing 160</math> A7 = 4 - <math>\varnothing 15.4</math> SQUARE FLANGE PILOT <math>\varnothing 127</math></p>