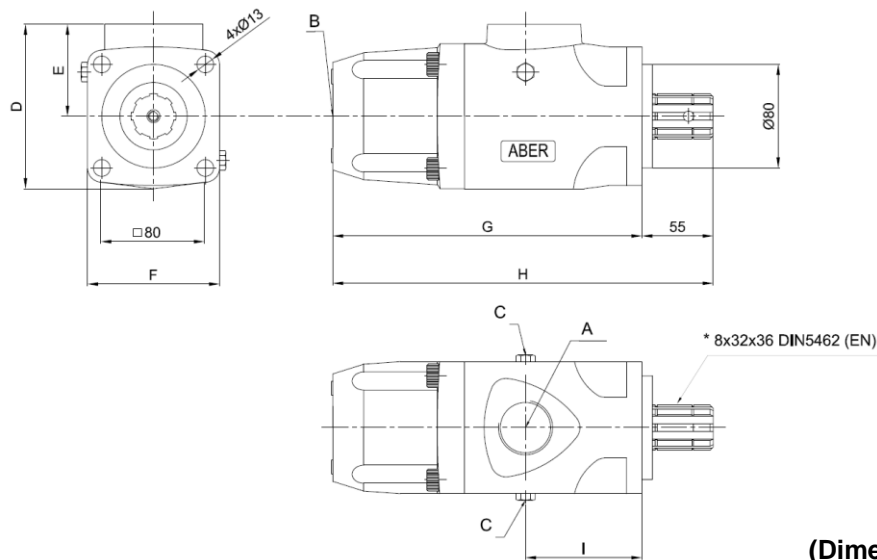




OIL-HYDRAULIC PUMP AXIAL PISTONS

Ref. BHV_EN

Main Dimensions



(Dimensions in mm)

Main Data

Pumps BHV_EN	21313	21316	21416	21516	21616	21716	21816	211113	25913
Cylinder capacity (cm ³ /rot.)	14	19	25	32	40	45	60	80	86
Output at max. rotation (l/min)	35	38	50	64	80	90	96	128	129
Operating pressure (bar) (up to)	350	320	320	320	320	320	400	400	320
Peak pressure (bar)	400	370	370	370	370	370	450	450	370
Rotation mín. (rpm)	200	200	200	200	200	200	200	200	200
Rotation máx. (rpm)	2500	2000	2000	2000	2000	2000	1600	1600	1500
Weight (kg)	12.0	12.0	12.0	12.0	12.0	12.0	16.0	21.5	21.5
Sense of Rotation	Bi-directional								
A-Oil inlet (BSP)	1"1/4	1"1/4	1"1/4	1"1/4	1"1/4	1"1/4	1"1/2	1"1/2	1"1/2
B-Oil Outlet (BSP)	3/4"	3/4"	3/4"	3/4"	3/4"	3/4"	1"	1"	1"
C	Oil drain plug								
D	125	125	125	125	125	125	148	152	152
E	69	69	69	69	69	69	72	80	80
F	102	102	102	102	102	102	118	142	142
G	240	240	240	240	240	240	259	270	270
H	295	295	295	295	295	295	314	325	325
I	90	90	90	90	90	90	118	134	134

How to order:

Example: Pump 19cm³, operating pressure up to 320 bar; peak pressure 370 bar, ref. BHV_EN

→ BHV21316EN

ABER is constantly engaged in improving its products and, therefore, reserves itself the right to modify without any further notice the characteristics shown



ABER - Embraigens e Comandos Hidráulicos - A. B. LDA

Rua Francisco de Almeida, Nº 30 – Vila Nova da Telha – 4470 MAIA - Portugal

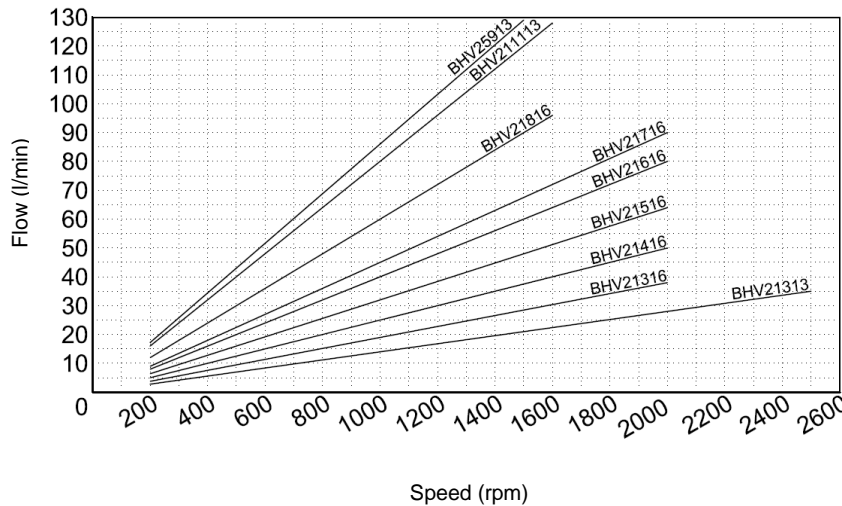
Telephone: +351.22.9438070 Fax: +351.22.9420823 e-mail: aber@aber.pt <http://www.aber.pt>



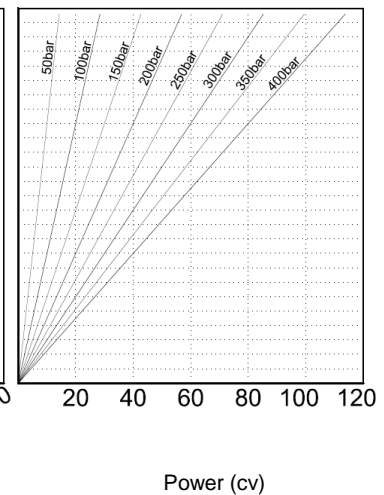
OIL-HYDRAULIC PUMP AXIAL PISTONS

Ref. BHV_EN

**Diagram
Flow - Speed**



**Diagram
Input Power - Flow – Pressure**



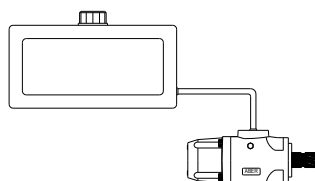
Hose dimensions

Inlet Hose	
Flow (l/min)	Internal pipe diameter (inch)
30-40	1"1/4
50-60	1"1/2
70-90	1"3/4
100-120	2"
130-150	2"1/4

Outlet Hose					
Flow (l/min)	Internal pipe diameter (inch)				
	30	1/2"	1/2"	1/2"	1/2"
40	5/8"	1/2"	1/2"	1/2"	1/2"
50	5/8"	5/8"	5/8"	1/2"	1/2"
60	3/4"	5/8"	5/8"	5/8"	5/8"
70	1"	3/4"	3/4"	5/8"	5/8"
80	1"	3/4"	3/4"	3/4"	3/4"
90	1"	1"	1"	3/4"	3/4"
100	1"	1"	1"	1"	3/4"
110	1"	1"	1"	1"	1"
120	1"	1"	1"	1"	1"
130	1"	1"	1"	1"	1"
	50-100	100-150	150-200	200-300	300-400
	P (bar)				

IMPORTANT NOTES:

- ✓ Other axis available, please consult "Axel options"
- ✓ Diameter of inlet pipes lower than indicated in our technical catalogues as well as a poor sealing can cause cavitation phenomenon to occur, thereby deteriorating the pump
- ✓ Keep up the deposit above pump level
- ✓ Used always return filters. We recommend filters with mesh equal to or lower than 25 µm
- ✓ The connection of inlet pipes in the pump, can be done by threading or flange and the sealing by orring
- ✓ Use a good quality mineral hydraulic-oil with viscosity at operating temperature between 20 and 46 cSt
- ✓ Fill the oil tank to 85% of its maximum capacity (the remainder 15% must not have oil)



Keep up the deposit above pump level

ABER is constantly engaged in improving its products and, therefore, reserves itself the right to modify without any further notice the characteristics shown



ABER - Embragens e Comandos Hidráulicos - A. B. LDA

Rua Francisco de Almeida, Nº 30 – Vila Nova da Telha – 4470 MAIA - Portugal

Telephone: +351.22.9438070 Fax: +351.22.9420823 e-mail: aber@aber.pt <http://www.aber.pt>