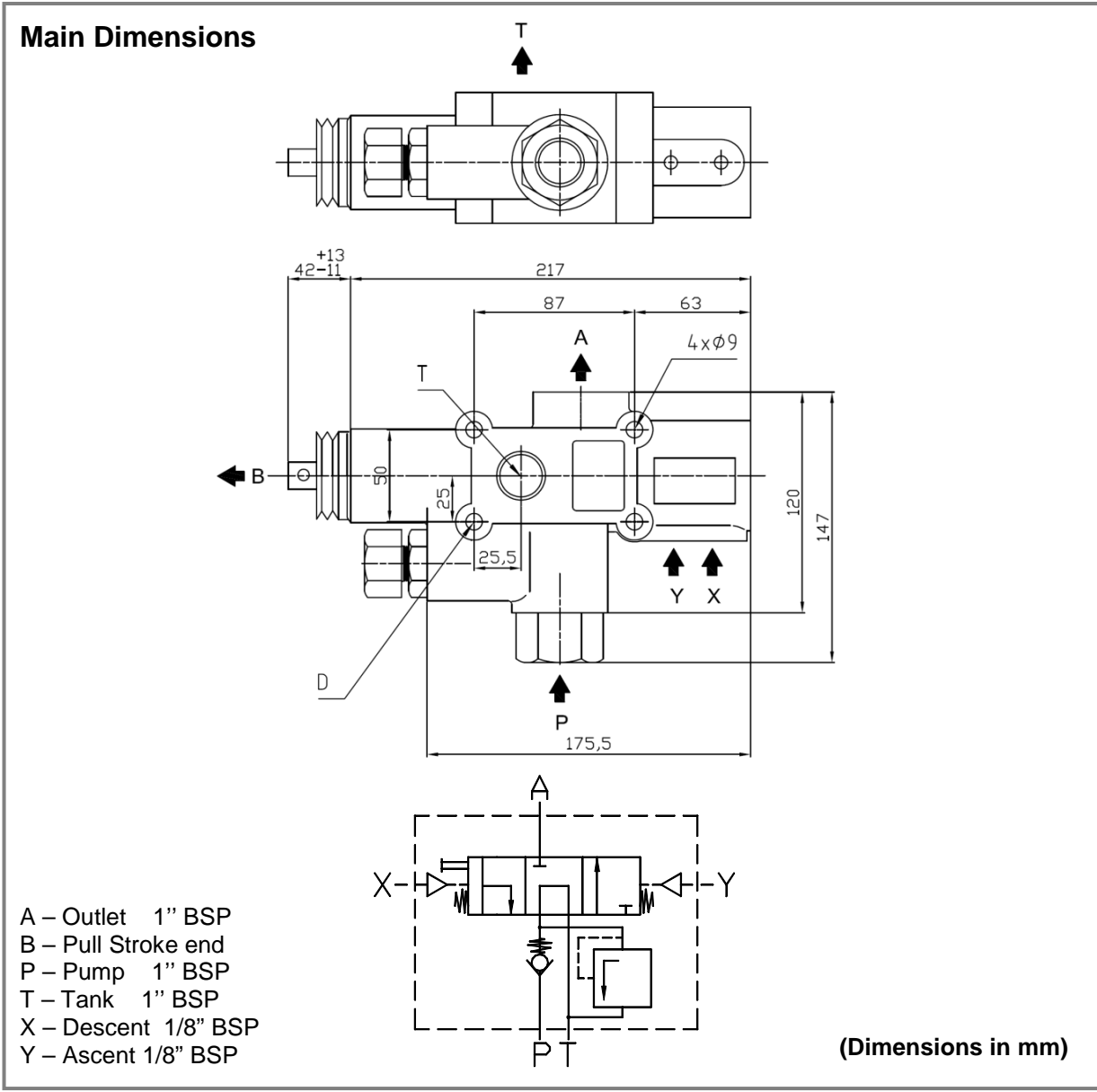




Tipping Valve		Ref. DTCA200
DT	Open Circuit 200 l/min	



Main Data	
Maximum pressure (Bar)	300
Operating pressure (Bar)	up to 250
Flow rate (l/min)	200
Weight (kg)	5.2

- Notes:**
- ✓ This tipping valve can be used in progressive descent with our air commands ABCD.
 - ✓ Tighten the tipping valve with only three bolts. Do not use the "D" hole. Screw the three bolts with a max. tightening torque of 20 N.m (soft tightening).

ABER is constantly engaged in improving its products and, therefore, reserves itself the right to modify without any further notice the characteristics shown



ABER - Embraagens e Comandos Hidráulicos - A. B. LDA
 Rua Francisco de Almeida, Nº 30 – Vila Nova da Telha – 4470 MAIA - Portugal
 Telephone: +351.22.9438070 Fax: +351.22.9420823 e-mail: aber@aber.pt <http://www.aber.pt>

CTI DTCA200 1606-0



Tipping Valve		Ref. DTCA200H
DT	Open Circuit 200 l/min ; progressive descent, type H	

Main Dimensions

A – Outlet 1" BSP
 P – Pump 1" BSP
 T – Tank 3/4" BSP
 X – Descent 1/8" BSP
 Y – Ascent 1/8" BSP

(Dimensions in mm)

Main Data	
Maximum pressure (Bar)	300
Operating pressure (Bar)	up to 250
Flow rate (l/min)	200
Approx. weight (kg)	5.2

- Notes:**
- ✓ This tipping valve can be used in progressive descent with our air commands ABCD.
 - ✓ Screw the three bolts with a max. tightening torque of 20 N.m (soft tightening).

ABER is constantly engaged in improving its products and, therefore, reserves itself the right to modify without any further notice the characteristics shown



ABER - Embraiaçens e Comandos Hidráulicos - A. B. LDA
 Rua Francisco de Almeida, Nº 30 – Vila Nova da Telha – 4470 MAIA - Portugal
 Telephone: +351.22.9438070 Fax: +351.22.9420823 e-mail: aber@aber.pt <http://www.aber.pt>

CTI DTCA200H 1610-0



Tipping Valve		Ref. DTCA200H2V
DT	Open Circuit 200 L ; type H ; 2 Descent Speeds	

Main Dimensions

2 Descent speed

X – Fast Descent 1/8" BSP
 Z – Slow Descent 1/8" BSP
 Y – Ascent 1/8" BSP

A – Outlet 1" BSP
 P – Pump 1" BSP
 T – Tank 1" BSP

(Dimensions in mm)

Main Data	
Maximum pressure (Bar)	300
Operating pressure (Bar)	up to 250
Flow rate (l/min)	200
Weight (kg)	6

- Notes:**
- ✓ This tipping valve can be used in progressive descent with our air commands ABCD.
 - ✓ Screw the three bolts with a max. tightening torque of 20 N.m (soft tightening).

CTI DTCA200H2V 1610- 0

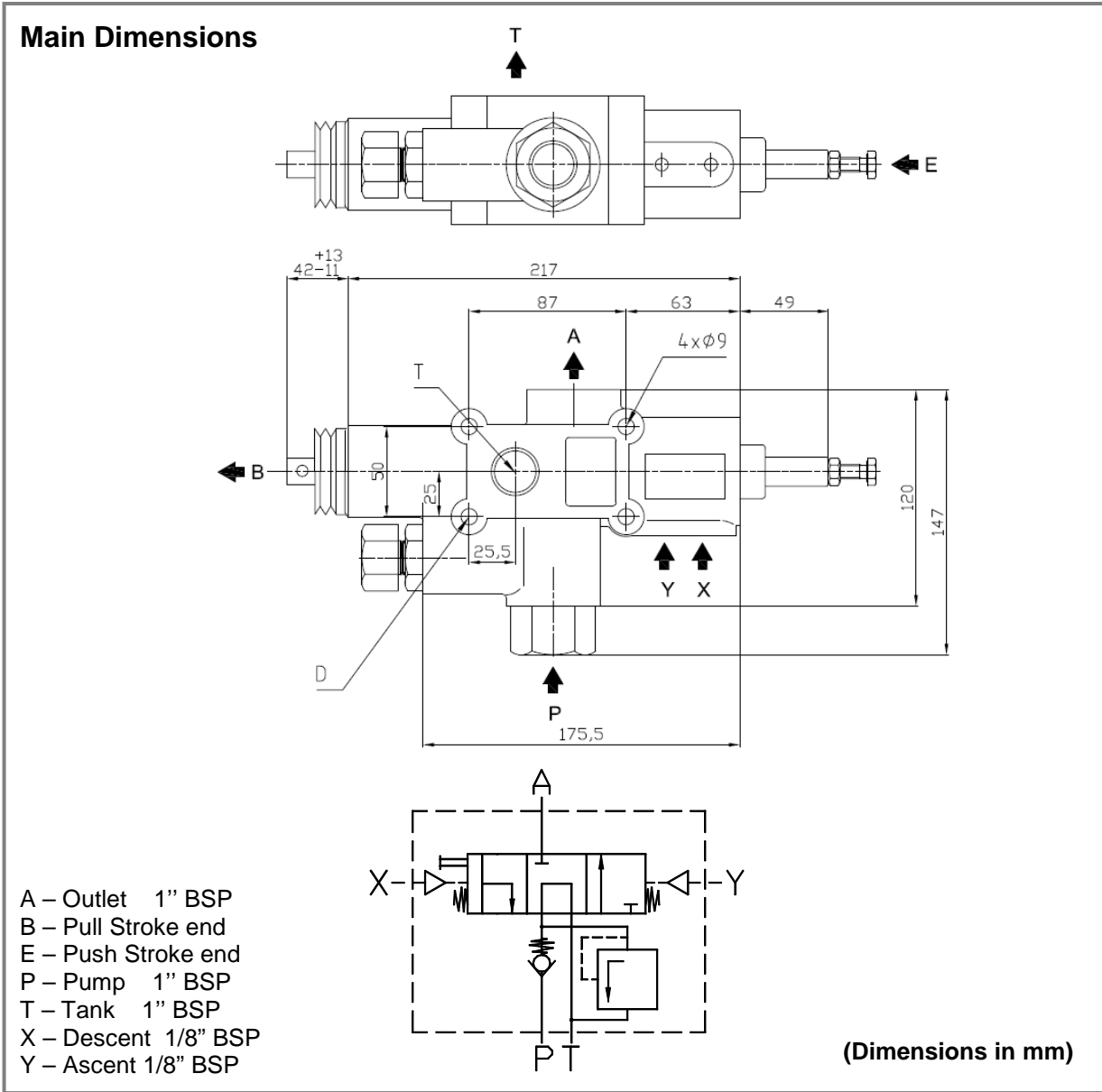
ABER is constantly engaged in improving its products and, therefore, reserves itself the right to modify without any further notice the characteristics shown



ABER - Embragens e Comandos Hidráulicos - A. B. LDA
 Rua Francisco de Almeida, N° 30 – Vila Nova da Telha – 4470 MAIA - Portugal
 Telephone: +351.22.9438070 Fax: +351.22.9420823 e-mail: aber@aber.pt <http://www.aber.pt>



Tipping Valve		Ref. DTCA200F
DT	Open Circuit 200 l/min ; Push Stroke End	



Main Data	
Maximum pressure (Bar)	300
Operating pressure (Bar)	up to 250
Flow rate (l/min)	200
Weight (kg)	5.2

- Notes:**
- ✓ This tipping valve can be used in progressive descent with our air commands ABCD.
 - ✓ Tighten the tipping valve with only three bolts. Do not use the "D" hole. Screw the three bolts with a max. tightening torque of 20 N.m (soft tightening).

ABER is constantly engaged in improving its products and, therefore, reserves itself the right to modify without any further notice the characteristics shown



ABER - Embraigens e Comandos Hidráulicos - A. B. LDA
 Rua Francisco de Almeida, Nº 30 – Vila Nova da Telha – 4470 MAIA - Portugal
 Telephone: +351.22.9438070 Fax: +351.22.9420823 e-mail: aber@aber.pt <http://www.aber.pt>

CTI DTCA200F 1606-0

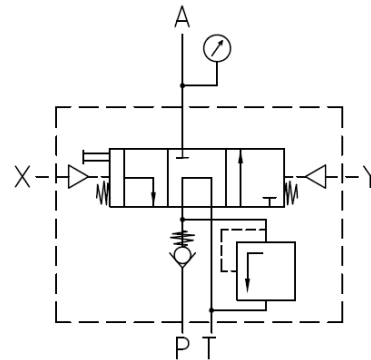
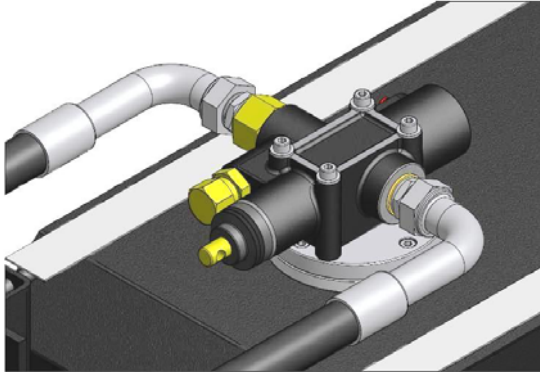


INSTRUCTION TO ADJUST RELIEF VALVE UP TO 250bar DTCA130

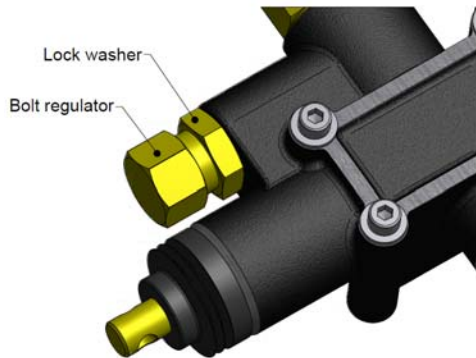
Procedure:

A pressure relief valve is a safety device that relieves overpressure in a hydraulic circuit. When a relief valve is working properly, it protects all the system components against overpressures. To adjust a relief valve, the operator must respect and follow the next steps.

1st- Turn off the whall system and relieve all the pressure in the circuit. Put the air control in the descent position and install a manometer in line "A", please see picture.

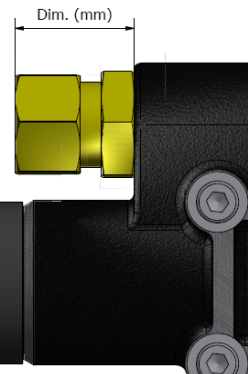


2nd- Unscrew the lock washer and tighten the bolt regulator to the correct pressure, following the dimensions in the drawing.



Indicative dimensions

Dim. (mm)	P (bar)
42	240
43	220
44	200
45	180
46	160
47	140



3rd- Tighten the lock washer, put the air control in the neutral position, turn on the system and work with it. Verify if the correct pressure is on manometer.

4th- With the correct pressure in the manometer, turn off the whall the system and relieve all the pressure in the circuit. Put the air control in the descent position and uninstall the manometer.

5th- Tighten everything well again. Put the air control in the neutral position, and your system is ready to work with the new pressure.

Note : ABER's pressure relief valves have different springs, lock washers and bolt regulators. The different working pressures are up to 250bar and higher than 250bar. A valve controlled to work at 160bar never can be adjusted for a pressure higher than 250bar, and a controlled valve to work at 300bar never can be adjusted to work up to 250bar.

CTI Instruction to adjust relief valve 1105- 0

ABER is constantly engaged in improving its products and, therefore, reserves itself the right to modify without any further notice the characteristics shown



ABER - Embragens e Comandos Hidráulicos - A. B. LDA

Rua Francisco de Almeida, Nº 30 – Vila Nova da Telha – 4470 MAIA - Portugal

Telephone: +351.22.9438070 Fax: +351.22.9420823 e-mail: aber@aber.pt <http://www.aber.pt>