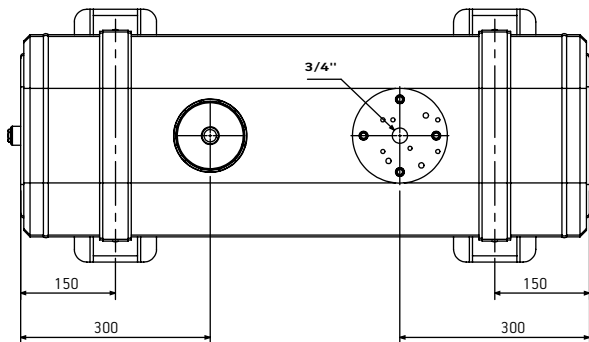
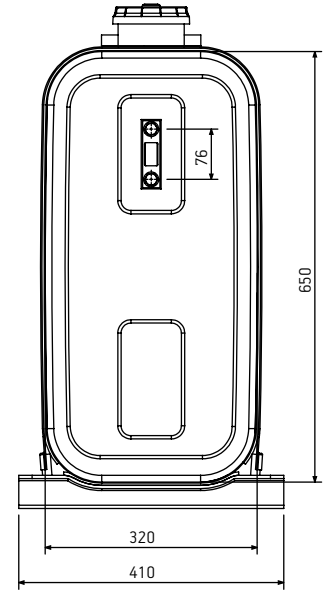
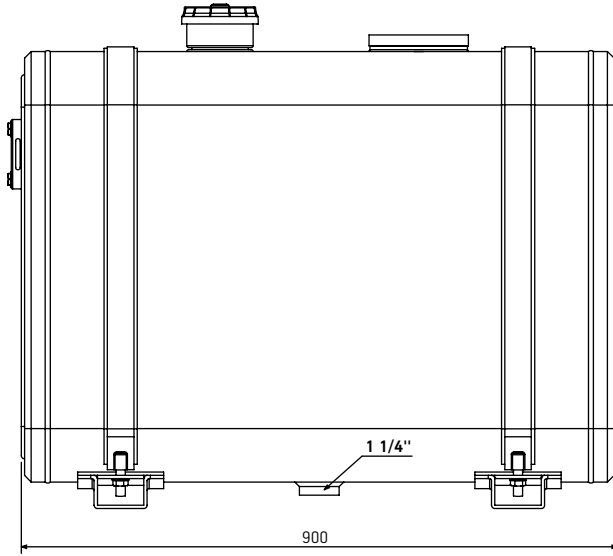
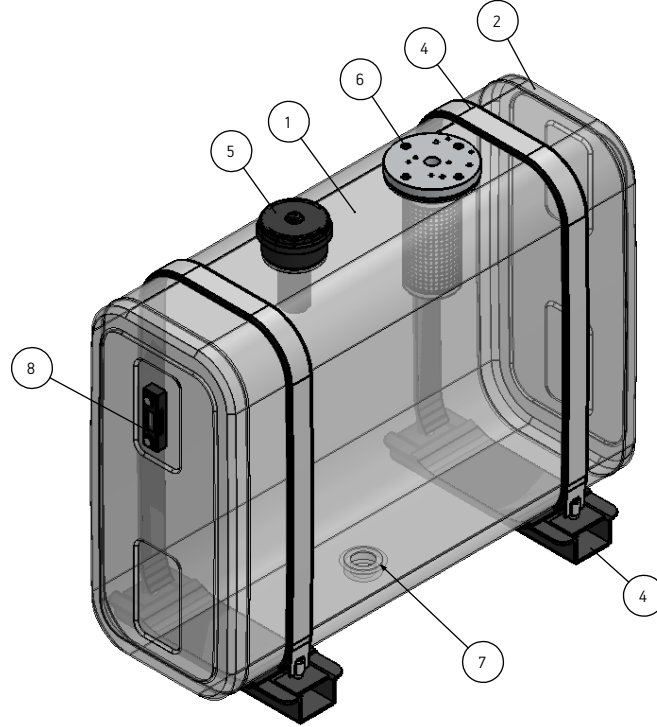


### TEKNİK VERİLER | TECHNICAL DATA

ÜSTÜ ÇELİK YAĞ TANKI | REAR MOUNTED STEEL OIL TANK



ITEM	DENOMINATION
1	Tank Body - 2 mm Steel
2	Side plate - 2 mm Steel
3	Bracket Steel - 6mm
4	Belt - 2 mm Chromium
5	Filling Neck
6	150mm Filter Flange 3/4" BSP
7	Suction adapter- 1 1/4" BSP
8	Level İndicator 76mm