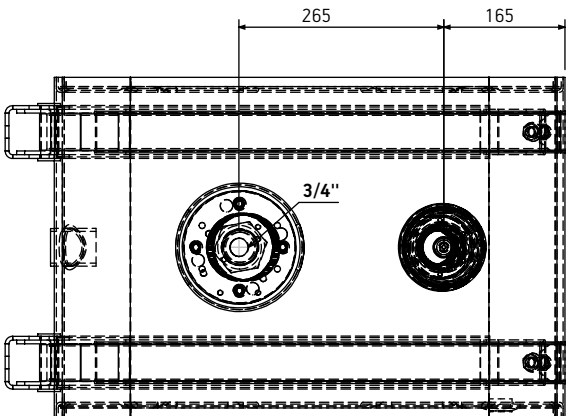
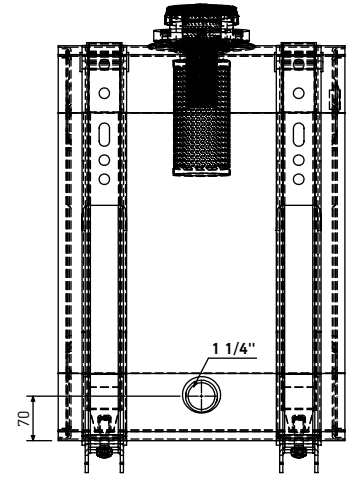
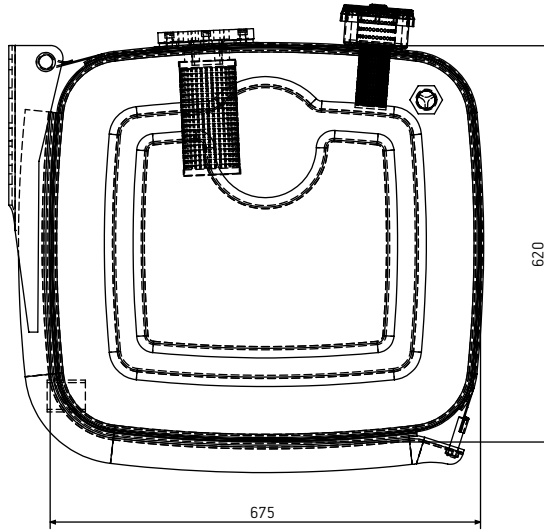
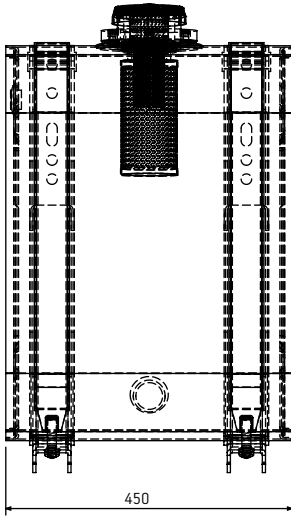
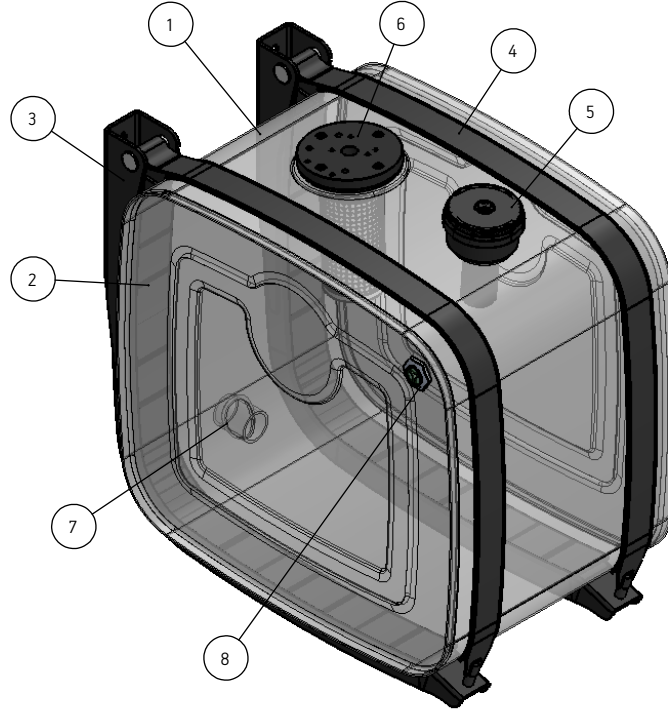


TEKNİK VERİLER | TECHNICAL DATA

FILTRELİ ÜST FLANŞLI ÇELİK YAĞ TANKI | TOP FLANGE STEEL OIL TANK WITH FILTER



ITEM	DENOMINATION
1	Tank Body - 2 mm Steel
2	Side plate - 2 mm Steel
3	Bracket Steel - 6mm
4	Belt - 2 mm Chromium
5	Filling Neck
6	Flange-Filter
7	Suction Adapter 1 1/4" BSP
8	Level Indicator 1" BSP