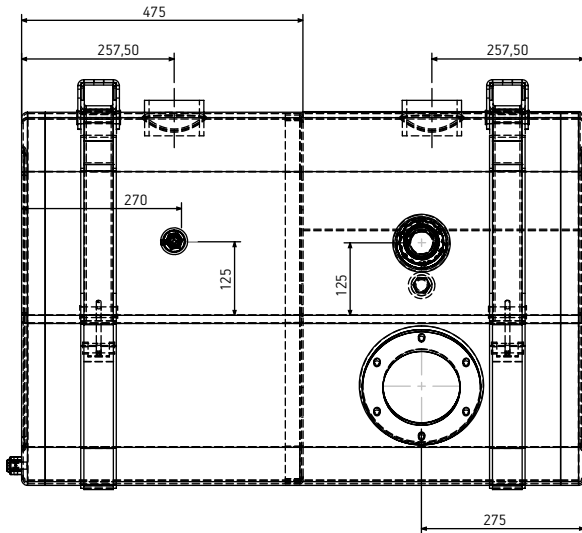
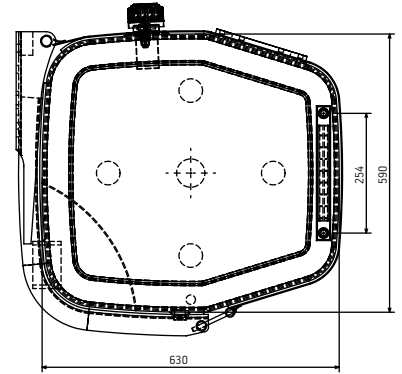
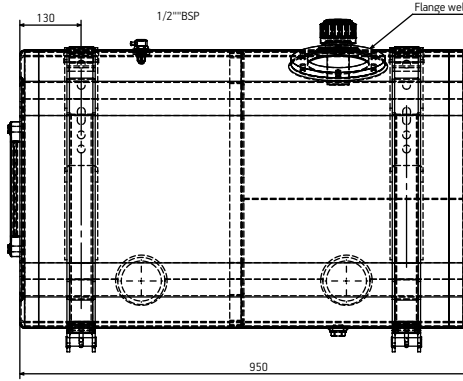


FLANGE DETAIL



ITEM	DENOMINATION
1	Tank Body - 2 mm Steel
2	Side plate - 2 mm Steel
3	Baffle-1
4	Baffle-2
5	Bracket Steel - 6mm
6	Belt - 2 mm Chromium
7	Filling Neck
8	Filter Flange
9	Adapter 1/2"
10	Vent 1/2"
11	Suction 3"
12	Level İndicator